

TECHNICAL DATA SHEET

ATMOS XS IP54

OUTDOOR - ESTERNO - AUßENBEREICH - EXTERIEUR - EXTÉRIEUR - EXTERIOR

Fix (not adjustable) 0° - 0°

□ 228x228 mm

Material : waterproof CALCYT+®



reddot design award
winner 2010

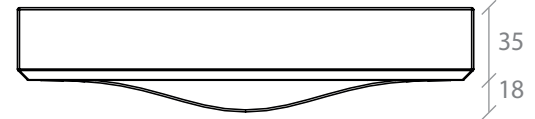
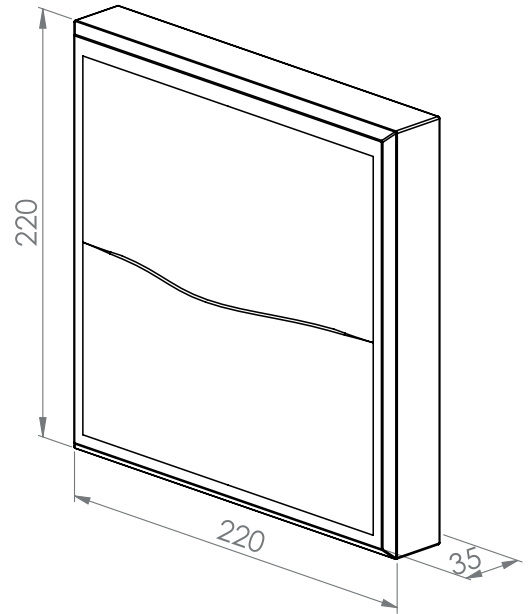
DESIGN PLUS

powered by: light+building



product
design
award

2011



REMOTE LED DRIVER ON/OFF

REF N° 697 00 006 8W

REF N° 697 00 015 15W

REF N° 697 00 025 25W

230V/50Hz - □ - current controlled
▽ - CE - IP20 - 350mA - not dimmable

ATMOS XS LED DIM 100 LM

REF N° 140 60 505 CRI 80 warm white 2200°K

REF N° 140 60 005 CRI 90 warm white 2700°K

REF N° 140 60 105 CRI 90 warm white 3000°K

REF N° 140 60 205 CRI 90 neutral white 4000°K

REF N° 140 60 305 royal blue

◇ - 1W - excl. LED driver - current
controlled 350 mA - ▽ - A - E
CE - ⊕ - serial wiring - 3 Step MacAdam
Requires remote LED driver - 350 mA

REMOTE LED DRIVER DIM

REF N° 697 60 006 6W 1-10V

REF N° 697 60 015 15W 1-10V

REF N° 697 30 015 15W DALI

REF N° 697 60 025 25W 1-10V DALI PUSH

REF N° 697 60 040 40W 1-10V DALI PUSH

REF N° 697 70 009 9W PHASE DIM (tr. edge)

REF N° 697 70 017 17W PHASE DIM

230V/50Hz - □ - current controlled
▽ - CE - IP20 - 350mA - dimmable

Ready for installation in solid walls

Optional plasterkit for installation into gypsum walls

PLASTERKIT ATMOS XS

REF N° 740 01 000 For mounting into gypsum walls

Housing: perforated aluminium

225x225 mm

