

# TECHNICAL DATA SHEET

## WASAABII 200LM SWING TRACK IP20

INDOOR - INTERNO - INNERBEREICH - INTERIEUR - INTÉRIEUR - INTERIOR

Adjustable 0° - 90°

Installation in 26 mm 48 VDC track

Material: Aluminium



### Ref N° 1100 BLACK

Black  
Nero  
Schwarz  
Zwart  
Noir  
Negro



### Ref N° 1100 WHITE

White  
Bianco  
Weiß  
Wit  
Blanc  
Blanco



### Ref N° 1100 GREY

Grey  
Grigio  
Grau  
Grijs  
Gris  
Gris



### Ref N° 1100 MESSING

Brass  
Otonne  
Messing  
Messing  
Laiton  
Latón



### Ref N° 1100 BRONZE

Bronze  
Bronzo  
Bronze  
Bronz  
Bronze  
Bronce



### Ref N° 1101 00 001

Clip-on accessory 1  
Small ball

### WASAABII SWING TRACK 200LM CRI 92

	2700°K	3000°K	
	REF N° 1171 17 930	REF N° 1171 17 830	

2 W - 200LM - 2 step MacAdam - **A+**  
on/off/pwm - - - -   
For installation in 26 mm 48 VDC track  
Requires remote power supply 48 VDC  
Standard narrowbeam 12° - Optional 8° beam  
Ultra low glare (UGR < 13)

### REMOTE POWER SUPPLY ON/OFF

REF N° 648 00 050 50W

REF N° 648 00 150 150W

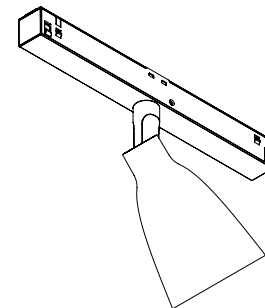
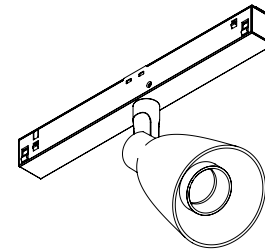
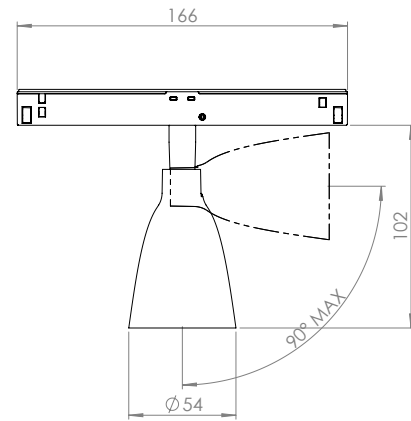
230V/50Hz - - constant voltage  
 - - IP20 - 48VDC - not dimmable

### REMOTE POWER SUPPLY DIM

REF N° 648 30 055 DALI 55W

REF N° 648 60 080 1-10V 80W

230V/50Hz - - constant voltage  
 - - IP20 - 48VDC - dimmable  
Dims all LED units on the 48VDC track



### BEAM ANGLES

**STANDARD** (included) beam angle 12°  
REF N° 203 20 008 (option) beam angle 8°