

TECHNICAL DATA SHEET

WASAABII 500LM SWING TRACK IP20

INDOOR - INTERNO - INNERBEREICH - INTERIEUR - INTÉRIEUR - INTERIOR

Adjustable 0° - 90°

Installation in 26 mm 48 VDC track

Material: Aluminium



Ref N° 1100 BLACK

Black
Nero
Schwarz
Zwart
Noir
Negro



Ref N° 1100 WHITE

White
Bianco
Weiß
Wit
Blanc
Blanco



Ref N° 1100 GREY

Grey
Grigio
Grau
Grijs
Gris
Gris



Ref N° 1100 MESSING

Brass
Otonne
Messing
Messing
Laiton
Latón



Ref N° 1100 BRONZE

Bronze
Bronzo
Bronze
Brons
Bronze
Bronce



Ref N° 1101 00 001

Clip-on accessory 1
Small ball

WASAABII SWING TRACK 500LM CRI 92

2700°K	3000°K
REF N° 1171 18 930	REF N° 1171 18 830

5,9 W - 500LM - 2 step MacAdam - **A+**
on/off/pwm - - - -
For installation in 26 mm 48 VDC track
Requires remote power supply 48 VDC
Standard Perfectbeam 24°- Optional 44° beam
Ultra low glare (UGR < 13)

REMOTE POWER SUPPLY ON/OFF

REF N° 648 00 050 50W

REF N° 648 00 150 150W

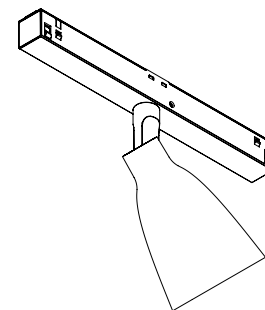
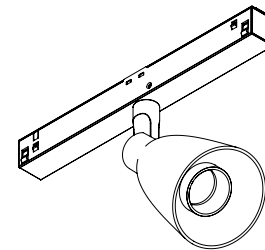
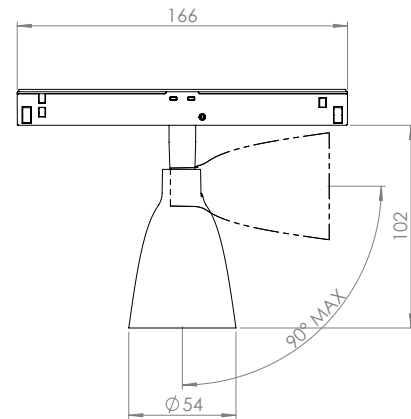
230V/50Hz - - constant voltage
 - - IP20 - 48VDC - not dimmable

REMOTE POWER SUPPLY DIM

REF N° 648 30 055 DALI 55W

REF N° 648 60 080 1-10V 80W

230V/50Hz - - constant voltage
 - - IP20 - 48VDC - dimmable
Dims all LED units on the 48VDC track



BEAM ANGLES

STANDARD (included) beam angle 24°
REF N° 203 20 044 (option) beam angle 44°