

TECHNICAL DATA SHEET

200CENT SQUARE 750LM SWING 30 XL TRIMLESS IP20

INDOOR - INTERNO - INNENBEREICH - INTERIEUR - INTÉRIEUR - INTERIOR

Adjustable 0° - 27°

114x134 mm - h = 70 mm

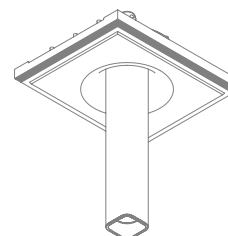
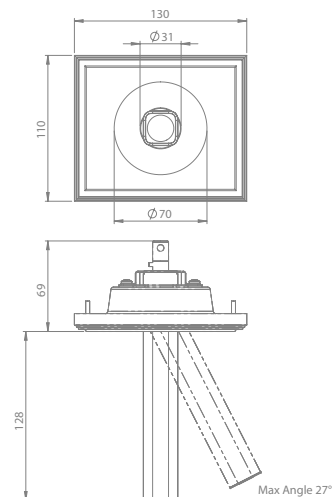
Material : CALCYT® plaster



200CENT SQUARE SWING 30 XL 750LM CRI 92			
2400°K	2700°K	3000°K	4000°K
REF N° 562 29 530	REF N° 562 29 930	REF N° 562 29 830	REF N° 562 29 730
6,2 W - 750lm - 2 Step MacAdam - A+			
Serial wiring - - - -			
Requires remote LED driver - 250 mA			
Standard beam angle 36°			

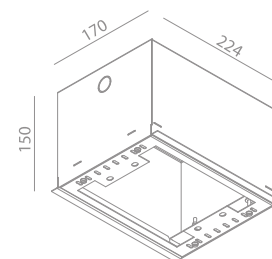
REMOTE LED DRIVER ON/OFF	
REF N° 697 00 040	min.1W max. 30W
REF N° 697 00 080	min. 27W max. 67W
230V/50Hz - - current controlled	
- - IP20 - 250mA - not dimmable	

REMOTE LED DRIVER DIM	
REF N° 697 60 040	min. 3W max. 30W 1-10V DALI PUSH
REF N° 697 60 150	min. 20W max. 100W 1-10V
REF N° 697 30 150	min. 20W max. 100W DALI
230V/50Hz - - current controlled	
- - IP20 - 250mA - dimmable	



INSTALLATION KIT

- STANDARD** (included) installation system for ceiling 9 - 12 - 15 mm
- REF N° 200 99 025 installation system for gypsum ceiling 25 mm
- REF N° 200 99 030 installation system for gypsum ceiling 30 mm
- REF N° 827 00 000 Concrete box 200CENT - Galvanized steel



BEAM ANGLES

- STANDARD** (included) beam angle 36°

