

TECHNICAL DATA SHEET

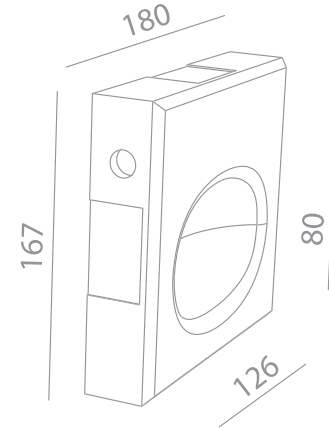
MOUSE+ IP54

OUTDOOR - ESTERNO - AUßENBEREICH - EXTERIEUR - EXTÉRIEUR - EXTERIOR

Fix (not adjustable) 0° - 0°

172x185 mm

Material : waterproof CALCYT+®



MOUSE+ LED DIM 100 LM

REF N° 147 60 505 CRI 80 warm white 2200°K

REF N° 147 60 005 CRI 90 warm white 2700°K

REF N° 147 60 105 CRI 90 warm white 3000°K

REF N° 147 60 205 CRI 90 neutral white 4000°K

REF N° 147 60 305 royal blue

⊕ - 1W - excl. LED driver - current controlled 350 mA - ▽ - A - E

CE - Ⓟ - serial wiring - 3 Step MacAdam
Requires remote LED driver - 350 mA

REMOTE LED DRIVER ON/OFF

REF N° 697 00 006 8W

REF N° 697 00 015 15W

REF N° 697 00 025 25W

230V/50Hz - □ - current controlled
▽ - CE - IP20 - 350mA - not dimmable

MOUSE+ LED DIM 200 LM

REF N° 147 62 505 CRI 80 warm white 2200°K

REF N° 147 62 005 CRI 90 warm white 2700°K

REF N° 147 62 105 CRI 90 warm white 3000°K

REF N° 147 62 205 CRI 90 neutral white 4000°K

REF N° 147 62 305 royal blue

⊕ - 2W - excl. LED driver - current controlled 350 mA - ▽ - A - E

CE - Ⓟ - serial wiring - 3 Step MacAdam
Requires remote LED driver - 350 mA

REMOTE LED DRIVER DIM

REF N° 697 60 006 6W 1-10V

REF N° 697 60 015 15W 1-10V

REF N° 697 30 015 15W DALI

REF N° 697 60 025 25W 1-10V DALI PUSH

REF N° 697 60 040 40W 1-10V DALI PUSH

REF N° 697 70 009 9W PHASE DIM (tr. edge)

REF N° 697 70 017 17W PHASE DIM

230V/50Hz - □ - current controlled
▽ - CE - IP20 - 350mA - dimmable



Ready for installation in solid walls
Optional plasterkit for installation into gypsum walls

PLASTERKIT MOUSE+

REF N° 747 01 000 For mounting into gypsum walls

Housing: perforated aluminium

