

# BITS2POWER TECHNOLOGY

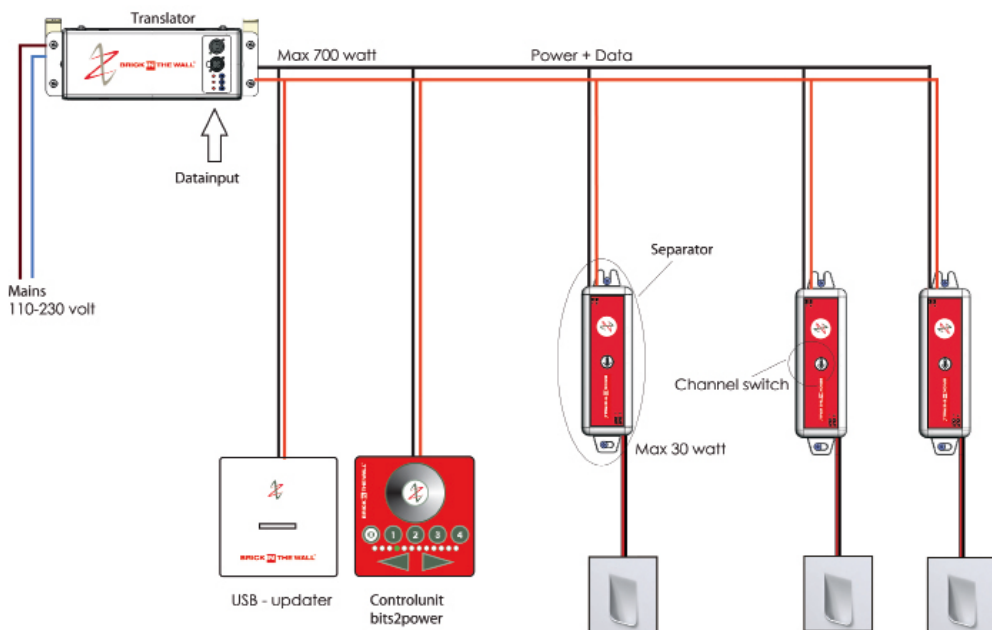
Brick in the Wall will integrate the latest Bit2power technology in their LED fixtures Bits2power technology offers the possibility for installers to install LED luminaires in a simple and easy way with just 2 wires.

The principle of Bits2power is based on powerline communication: data and power (48VDC) are combined on the same wire. The input of the data takes place at the power supply and once the data & power reaches the luminaire, the data will be separated to a signal to control the Led's (PWM signal).

By this way, it's possible to control every LED module ( dimming, on/off, colour control...)

It is a two way concept, which means that sensors, human interfaces can be integrated in the circuit.

The main advantage of Bits2power is that the system adapts itself automatically to the project and the control system which is used.



Bits2power is based on 4 modules (see above diagram):

**Translator :** power supply where all different DATA protocols can be connected ( DMX512A, Dali, KNX, Artnet, DMX/RDM,etc)

**Separator :** has a channel selector to choose the LED(s) which needs to responds, and they separate again the data from the power and send a current to the LED's. Brick in the Wall will integrate for Bits2power projects already the separator into its integrated driver.

**User interface :** intelligent user interface integrated with a touch screen : on which you can select the desired colour( in case of RGB) by sliding with your finger through the spectrum. In case of monochrome, you can dim the LED fixtures in the same way. Every user interface has presets and an on/off function.

**Updater :** to avoid communication problems due to different software versions of the system ( translator and separator), you can update the whole system with a simple USB stick.

## MONO TOUCH CONTROL

---

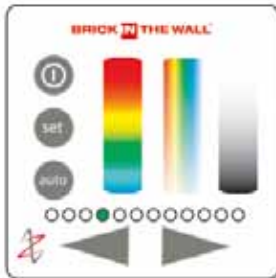


**REF. N°: 697 00 900**

Communication:	Bits2Power protocol, capable to control 16 separate single color channels
Input Voltage:	48VDC
Presets:	4 pieces
Slider:	Dimming single color channels
Dimensions (LxWxD):	80.5x80.5x32.7

## RGB TOUCH CONTROL

---



**REF. N°: 697 00 999**

Communication:	Bits2Power protocol, capable to control 16 separate three color (RGB) channels
Input voltage:	48VDC
Presets:	1 piece
Auto:	Automatic demo mode
Sliders:	Hue, Saturation, Brightness
Dimensions (LxWxD):	80.5x80.5x32.7